



▶ XStream™ I Interior Mount Warning Light

FEATURES

- Solaris® LED reflector technology for better optical efficiency and superior off-axis warning
- SpectraLux™ multicolor LED technology in combinations of Amber, Blue, Green, Red and White
- Each light head includes three colors with 6 LEDs of each color (18 LEDs total)
- Low-profile design
- Available in single or dual head models
- Black polycarbonate housing
- Each model features two recessed buttons, one to change flash pattern and other for color mode
- (25) Flash patterns including random and steady; (10) color modes
- Versatile mounting brackets and three different length snap-on flash guards included
- Choice of cigarette plug or wired models
- Cigarette plug models include two switches for on/off and steady-burn
- Five-year warranty

APPROVALS

- SAE J845, Class 1
- SAE J595, Class 1

Built-in Versatility

XStream™ is an interior mount LED warning light that can be installed almost anywhere inside a police car, fire commander and volunteer fire vehicle, or work truck. XStream is available in single or dual head configurations and with cigarette plug or wire leads that allow for synchronization. Ideal for dash/deck, headliner, and window mount applications, each model includes a light head, two suction cups, bail and pivot brackets, mounting hardware and three different length snap-on flash guards making installation quick and versatile.

Every model is built with Federal Signal's Solaris® LED reflector for superior optical performance. In addition, SpectraLux® multicolor LED technology provides the ability for a LED light head to change color and operate as a single, dual, or triple color light head through user-selected color modes.

Easy Push-Button Flash Pattern and Color Mode Selection

XStream warning lights come equipped with (25) flash patterns and (10) color modes. Flash patterns and color modes can be changed simply with two recessed buttons included on each model. Wired units use an advanced five wire technology that coordinates flash patterns between up to eight lights at once. Cigarette plug models are simple to transfer from vehicle to vehicle and include two switches for on/off and White steady-burn.



C O M P L I A N C E C H A R T

Color	J845 Class	J845 Coverage	J595 Class	CA T13 Class	NFPA		GSA KKK-A-1822F
					Zone	No. of Devices (Zone)	
Red	1	115°	1	B	Lower	1	Complies Lower
Blue	1	90°	1	B	Lower	2	–
Amber	1	110°	1	B	Lower	1	–
White	1	85°	1	–	Lower	1	–

C O L O R M O D E

Color Mode	Single Head	Dual Head 1	Dual Head 2	Description
1	Color 1, 2, 3	Color 1, 2, 3	Color 1, 2, 3	Heads flash COLOR1, COLOR2, & COLOR3
2	Color 1	Color 1	Color 1	Heads flash COLOR1
3	Color 2	Color 2	Color 2	Heads flash COLOR2
4	Color 3	Color 3	Color 3	Heads flash COLOR3
5	Color 1, 2	Color 1, 2	Color 1, 2	Heads flash COLOR1 & COLOR2***
6	Color 1, 3	Color 1, 3	Color 1, 3	Heads flash COLOR1 & COLOR3***
7	Color 2, 3	Color 2, 3	Color 2, 3	Heads flash COLOR2 & COLOR3***
8	Color 1 (duplicates 2)	Color 1	Color 2	Head 1 flashes COLOR1, Head 2 flashes COLOR2***
9	Color 1 (duplicates 2)	Color 1	Color 3	Head 1 flashes COLOR1, Head 2 flashes COLOR3***
10	Color 2 (duplicates 3)	Color 2	Color 3	Head 1 flashes COLOR2, Head 2 flashes COLOR3***

***Use Swap Colors Function to Reverse

S P E C I F I C A T I O N S

	Single Head	Dual Head
Voltage	12 VDC	
Current Draw	0.8 Amp (Steady White)	1.6 Amp (Steady White)
Operating Temp	-40°C to +80°C	
Physical Specifications		
Width	3.9 in (9.9 cm)	7.3 in (18.5 cm)
Height	1.0 in (2.5 cm)	
Depth	2.2 in (5.6 cm)	
Ship Weight		
	0.6 lbs (0.3 kg)	1.0 lb (0.5 kg)



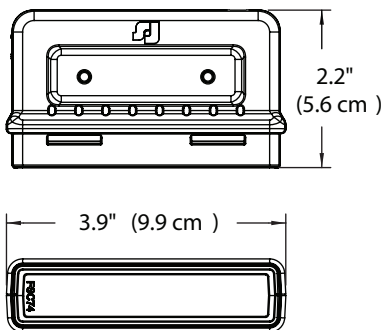
Cigarette plug models include two switches for on/off and White steady-burn

F L A S H P A T T E R N S

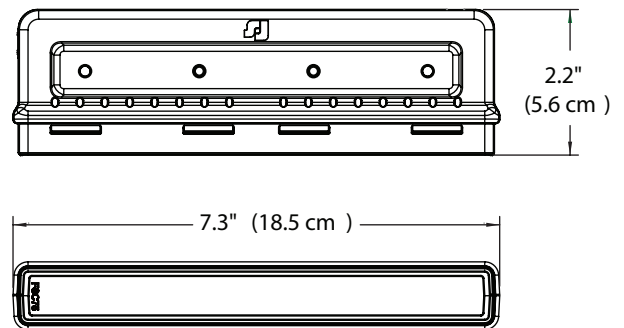
Pattern	Name
1	Triple 92.3
2	Triple 90
3	Single 122
4	Single 75*
5	Single 90*
6	Single 113*
7	Cruise w/ Flicker
8	Random Time
9	Random Common*
10	Steady
11	Single 75*
12	Single 120*
13	Double 80*
14	Double 120*
15	Triple 80*
16	Triple 120*
17	Quad 60*
18	Quad 75*
19	Quad 95*
20	FedPulse Quad 75*
21	Quint 75*
22	7x
23	Single-Quad*
24	Decelerating
25	Accelerating

*Conforms to California Title 13

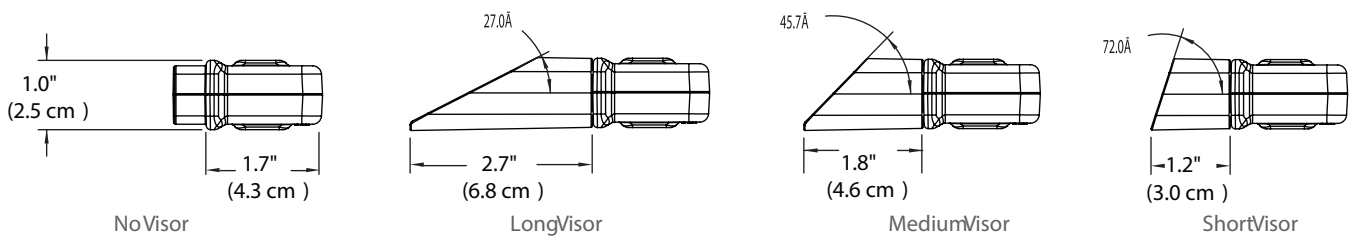
Single Head Model



Dual Head Model



Visor Lengths Included with Each Model



Single head models with wire leads

- XSM1-BRW Blue/Red/White
- XSM1-WAG White/Amber/Green
- XSM1-BRA Blue/Red/Amber
- XSM1-BWA Blue/White/Amber

Dual head models with wire leads

- XSM2-BRW Blue/Red/White - Blue/Red/White
- XSM2-WAG White/Amber/Green - White/Amber/Green
- XSM2-BRA Blue/Red/Amber - Blue/Red/Amber
- XSM2-BWA Blue/White/Amber - Blue/White/Amber

Single head models with cigarette plug

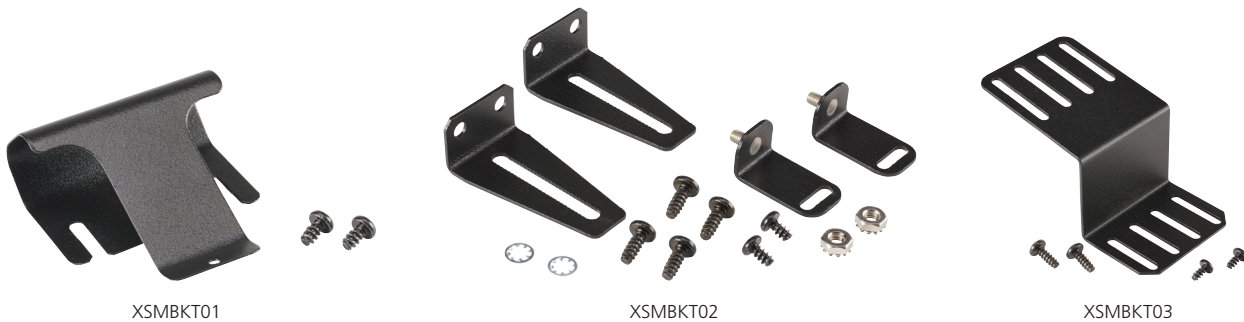
- XSM1C-BRW Blue/Red/White
- XSM1C-WAG White/Amber/Green
- XSM1C-BWA Blue/White/Amber

Dual head models with cigarette plug

- XSM2C-BRW Blue/Red/White - Blue/Red/White
- XSM2C-WAG White/Amber/Green - White/Amber/Green
- XSM2C-BWA Blue/White/Amber - Blue/White/Amber

Accessories

- XSMBKT01 Visor mount kit for use with single or dual head models
- XSMBKT02 Adjustable, swivel mount for single or dual head models
- XSMBKT03 Headliner mount bracket for single or dual head models



XSMBKT01

XSMBKT02

XSMBKT03



Each model includes light head, two suction cups, bail and pivot brackets, mounting hardware and three different length snap-on flash guards.



XStream, SpectraLux and Solaris are registered trademark of Federal Signal Corporation.

©2017-2018 Federal Signal Corporation. M3529 | 0118